



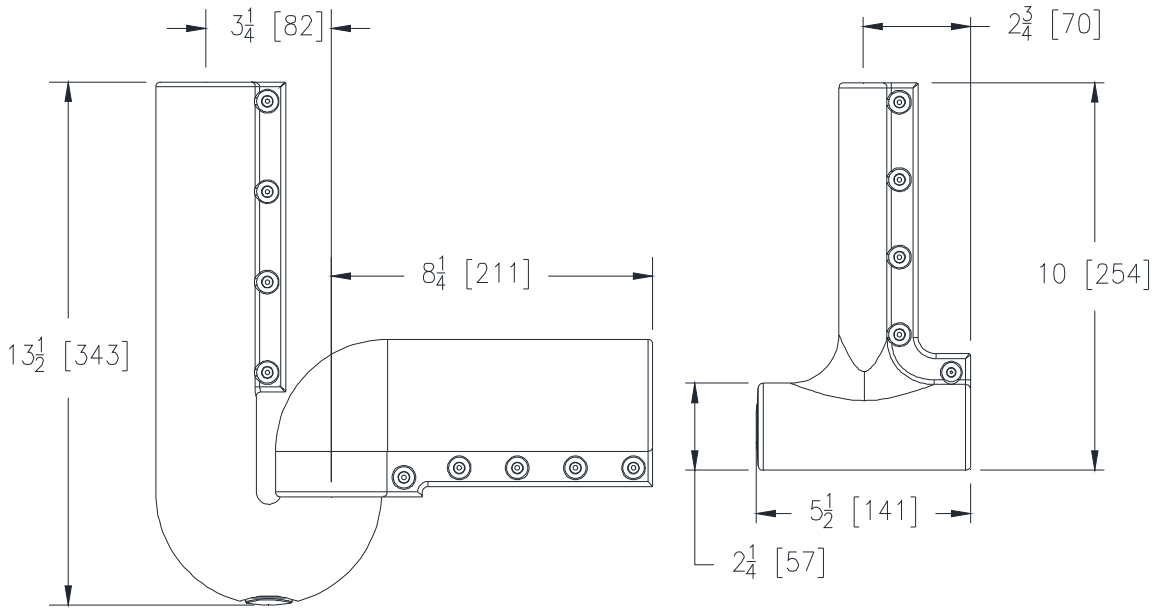
# COMBINATION KIT: ONE TRAP AND ONE SUPPLY STOP PROTECTOR

Z8946-NT

TAG \_\_\_\_\_



**ENGINEERING SPECIFICATION:** ZURN Z8946-NT Combination Kit: One trap protector and one supply stop protector, satin white PVC resin. Antimicrobial, resists thermal transfer, and is ADA compliant. Trap protector fits both tubular and semi-cast P traps. Patent Pending



TRAP PROTECTOR

SUPPLY STOP PROTECTOR



PRESS HERE TO CLOSE

ZURN INDUSTRIES, LLC. ♦ COMMERCIAL BRASS OPERATION ♦ 5900 ELWIN BUCHANAN DRIVE ♦ SANFORD NC 27330

Phone: 1-800-997-3876 ♦ Fax: 919-775-3541 ♦ World Wide Web: [www.zurn.com](http://www.zurn.com)

In Canada: ZURN INDUSTRIES LIMITED ♦ 3544 Nashua Drive ♦ Mississauga, Ontario L4V1L2 ♦ Phone: 905-405-8272 Fax: 905-405-1292